

**SOUTH**

# **ET/ETL** SERIES

**ELECTRONIC/LASER THEODOLITE**





**L/R**

Press the key ,  
horizontal angle option.

**HOLD**

Press the key twice ,  
hold the horizontal angle.

**OSET**

Press the key twice ,  
horizontal angle 0 setting.

**FUNC**

Select the second function

**V/%**

Vertical angle /slope angle  
percentage.

**⏻**

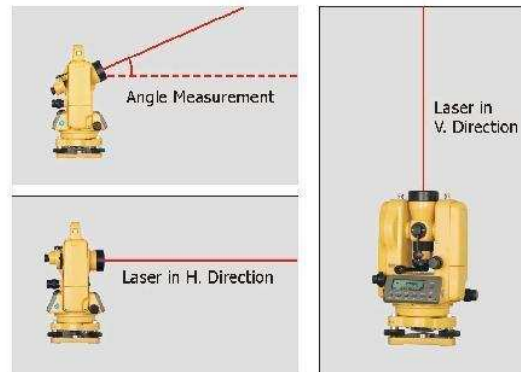
Power switch



## SPECIFICATIONS

|                                  | ET-02/ET-02L                          | ET-05/ET-05L | ET-10  |
|----------------------------------|---------------------------------------|--------------|--------|
| <b>TELESCOPE</b>                 |                                       |              |        |
| Image                            | Erect                                 |              |        |
| Magnification                    | 30X                                   |              |        |
| Effective aperture               | 45mm                                  |              |        |
| Resolving power                  | 3"                                    |              |        |
| Field of view                    | 1' 30"                                |              |        |
| Minimum focusing distance        | 1.4m                                  |              |        |
| Stadia ratio                     | 100                                   |              |        |
| Stadia constant                  | 0                                     |              |        |
| Tube length                      | 157mm                                 |              |        |
| <b>ANGLE MEASUREMENT</b>         |                                       |              |        |
| Reading system                   | Absolute Encoding                     |              |        |
| Diameter of circle(VHz)          | 79mm                                  |              |        |
| Minimum reading                  | 1"/5" (Selectable)                    |              | 10"    |
| Accuracy                         | 2"                                    | 5"           | 10"    |
| Horizontal angle                 | Dual                                  | Dual         | Dual   |
| Vertical angle                   | Dual                                  | Single       | Single |
| <b>DISPLAY</b>                   |                                       |              |        |
| (LCD)Display type                | 2 sides                               |              |        |
| <b>LEVEL SENSITIVITY</b>         |                                       |              |        |
| Plate level                      | 30"/2mm(30" per 2mm)                  |              |        |
| Circular level                   | 10"/2mm (10' per 2mm)                 |              |        |
| <b>AUTO VERTICAL COMPENSATOR</b> |                                       |              |        |
| System                           | Liquid-electric detection             |              |        |
| Working range                    | ± 3"                                  |              |        |
| Accuracy                         | 1"                                    |              |        |
| <b>OPTICAL PLUMMET TELESCOPE</b> |                                       |              |        |
| Image                            | Erect                                 |              |        |
| Magnification                    | 3X                                    |              |        |
| Focusing range                   | 0.5m ~ ∞                              |              |        |
| Field of view                    | 5°                                    |              |        |
| <b>PHYSICAL CHARACTERISTICS</b>  |                                       |              |        |
| Operating temperature            | -20°C ~ -45°C                         |              |        |
| Internal power supply            | Rechargeable Ni-H battery/ AA battery |              |        |
| Voltage                          | 6 VDC                                 |              |        |
| Operating time                   | 10 hours                              |              |        |
| Dimension                        | L145mm x H318mm x W179mm              |              |        |
| Weight                           | 5.2 kg                                |              |        |

## ETL SERIES LASER THEODOLITE



## ACCESSORIES



ALFA TOPOGRAFIA, .S.A. DE C.V.  
 MANZANILLO 27  
 COL. ROMA, MEXICO, D.F.  
 C.P. 06700  
 LADA SIN COSTO 01-800-6-54-05-76